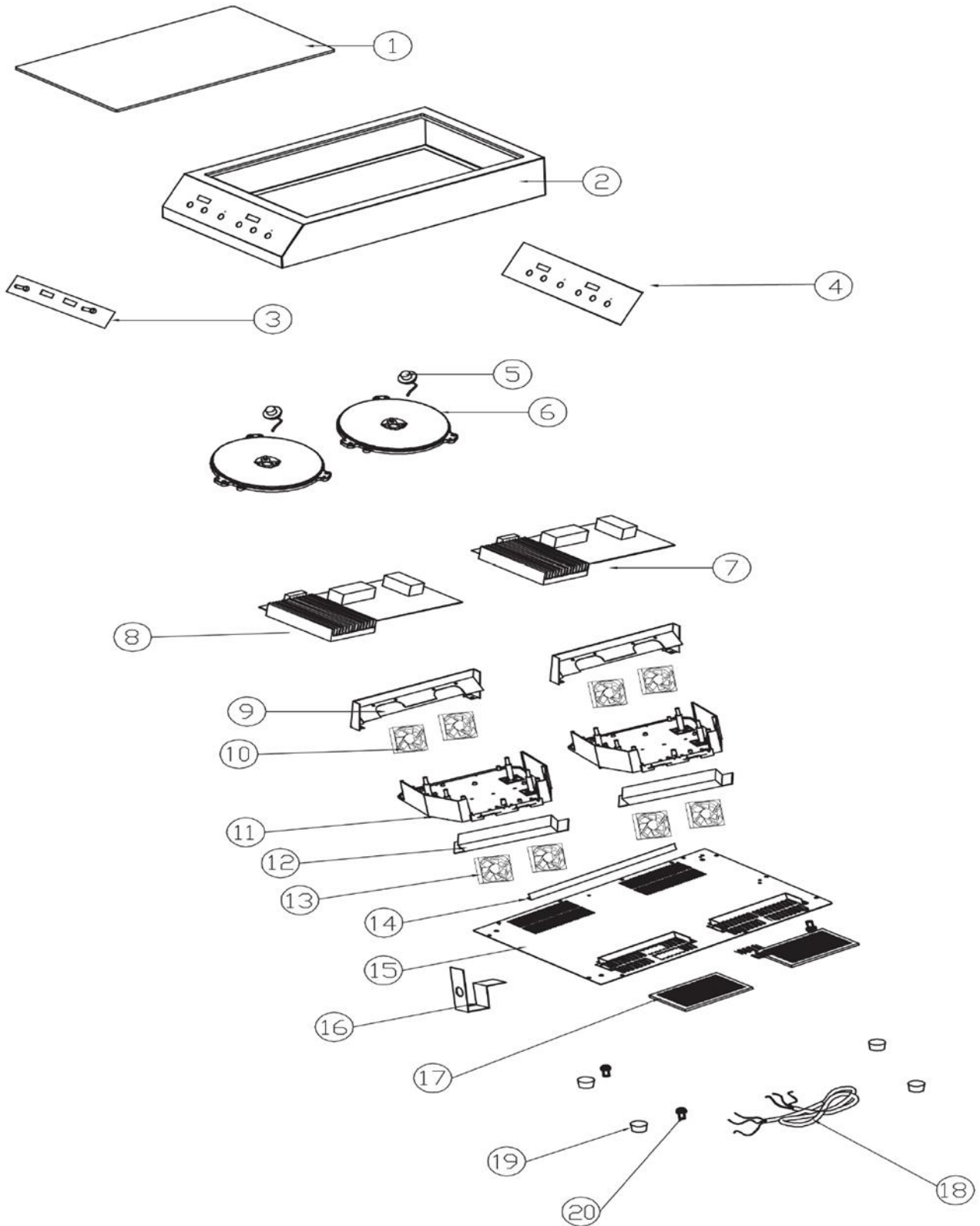


# BIH2

## Exploded parts diagram







Part Number	Number	Description	Qty
B3-5001221	1	Ceramic Glass	1
***	2	Stainless Steel Body	1
***	3	Glass Plate	1
B3-5001224	4	Control Panel	1
B3-5001225	5	Sensor	2
B3-5001226	6	Coil	2
B3-5001227	7	Main Board Back	1
B3-5001228	8	Main Board Front	1
***	9	Fan Holder	1
B3-50012210	10	RH Fan	2
***	11	Inner Plastic Housing	2
***	12	Fan Fixing	2
B3-50012213	13	LH Fan	4
***	14	Filter	1
***	15	Stainless Steel Plate	1
***	16	Power Cord Clamp	1
***	17	Air Filter	2
***	18	Power Cord	1
B3-50012219	19	Feet	4
***	20	Screw	2

\*\*\* Please contact Spares for assistance \*\*\*